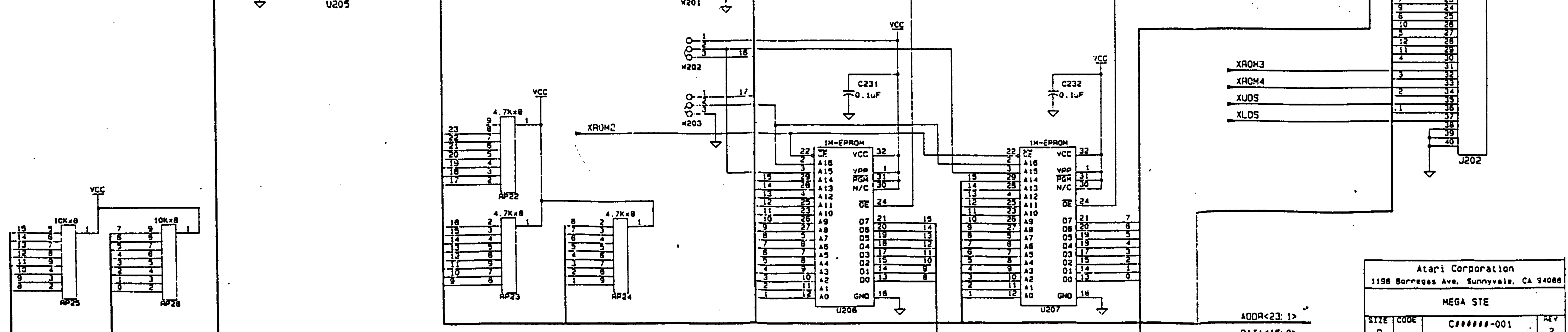


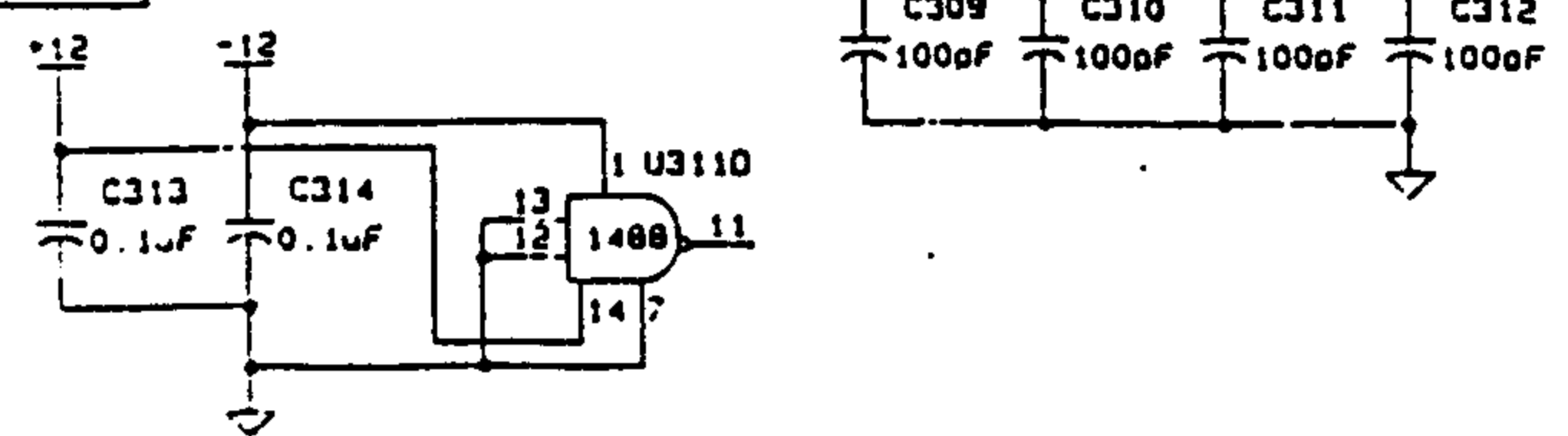
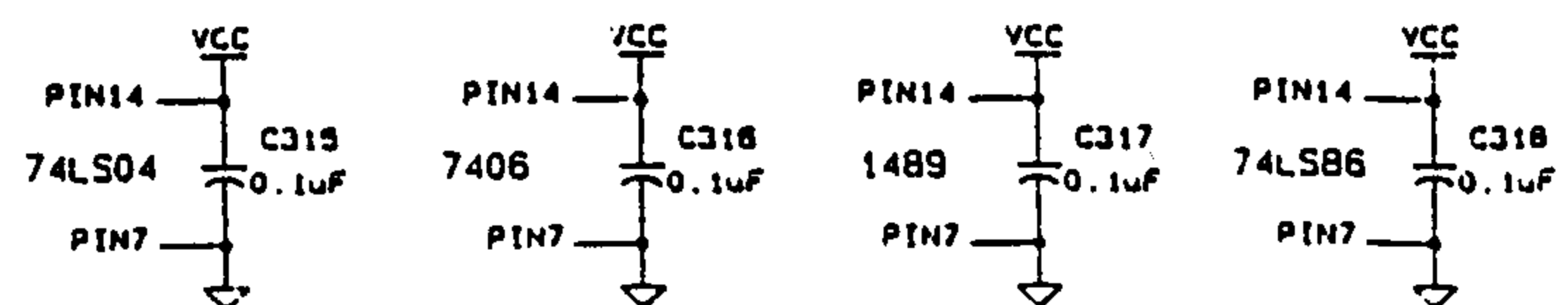
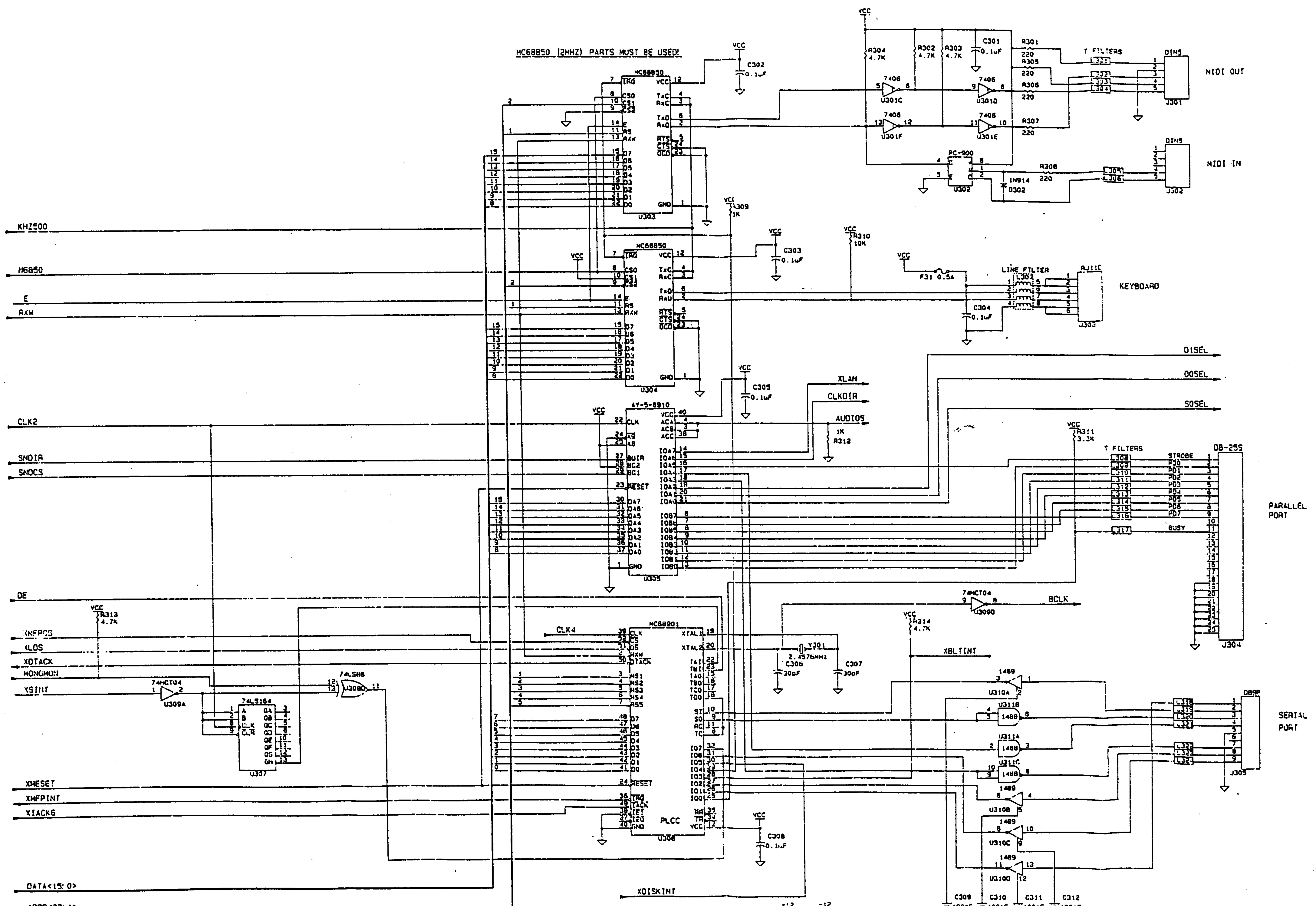
ROM jumper settings

Part Type	W201	W202	W203
27256	Don't Care	1 and 2	N/C
27512	2 and 3	2 and 3	N/C
571001/27C1000/531000	2 and 3	2 and 3	2 and 3
27010/571000/27C1001	1 and 2	2 and 3	1 and 2

Note: Jumpers are preset for 1M Roms  
(See default settings below)



MC68850 (2MHZ) PARTS MUST BE USED!



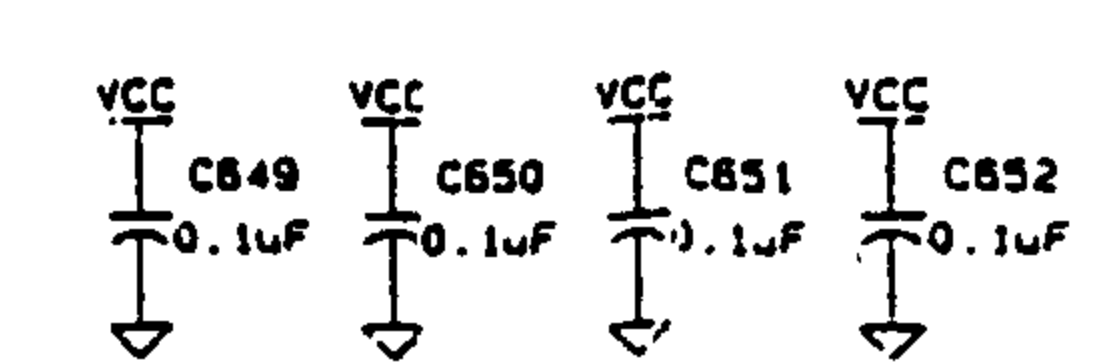
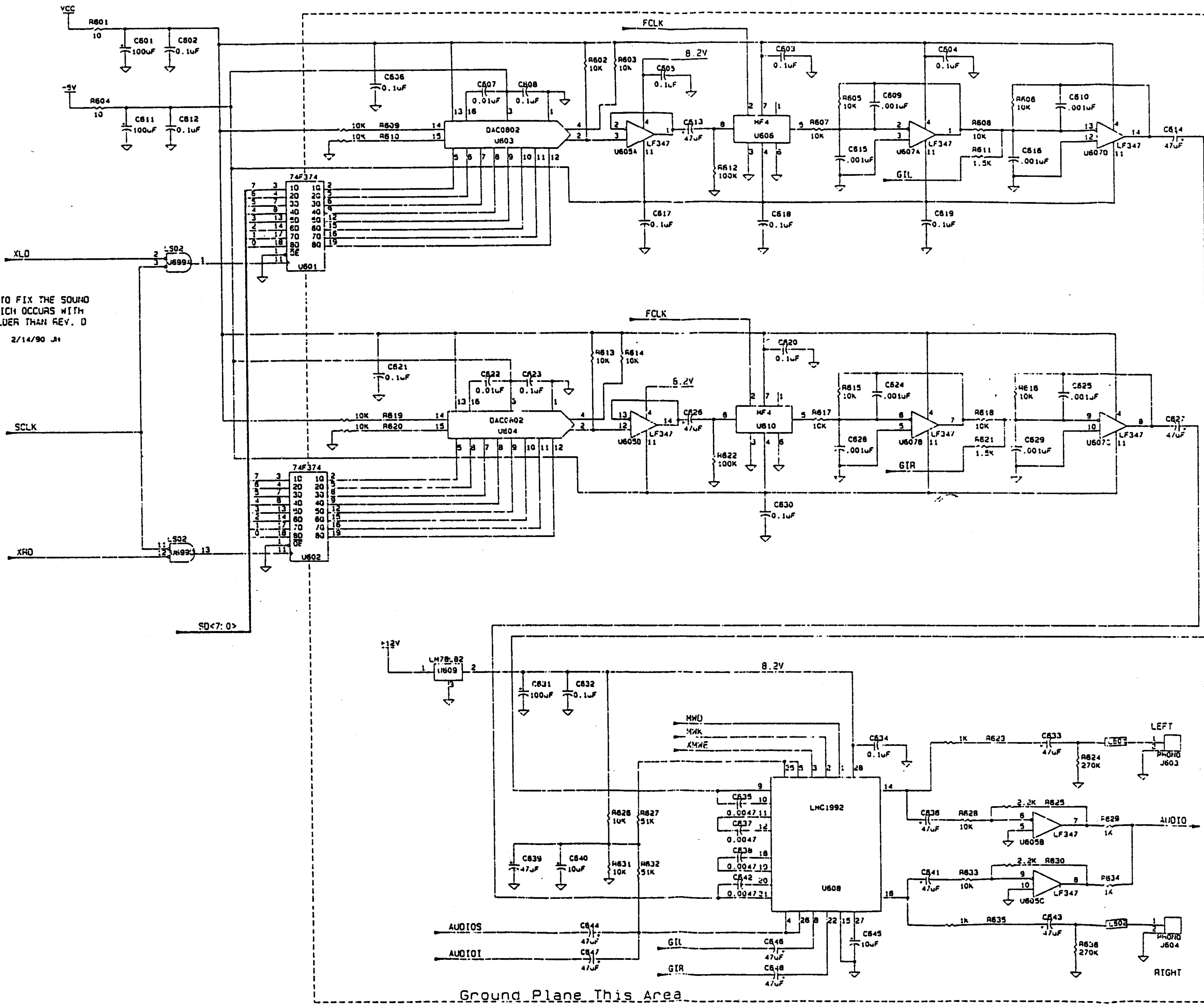
Atari Corporation			
1196 Borregas Ave. Sunnyvale, CA 94088			
MEGA STE			
SIZE	CODE	C00000-000	REV
0		ENGINEER: JOHN HORTON	2
DATE	APRIL 20, 1990	SHEET	3 of 11



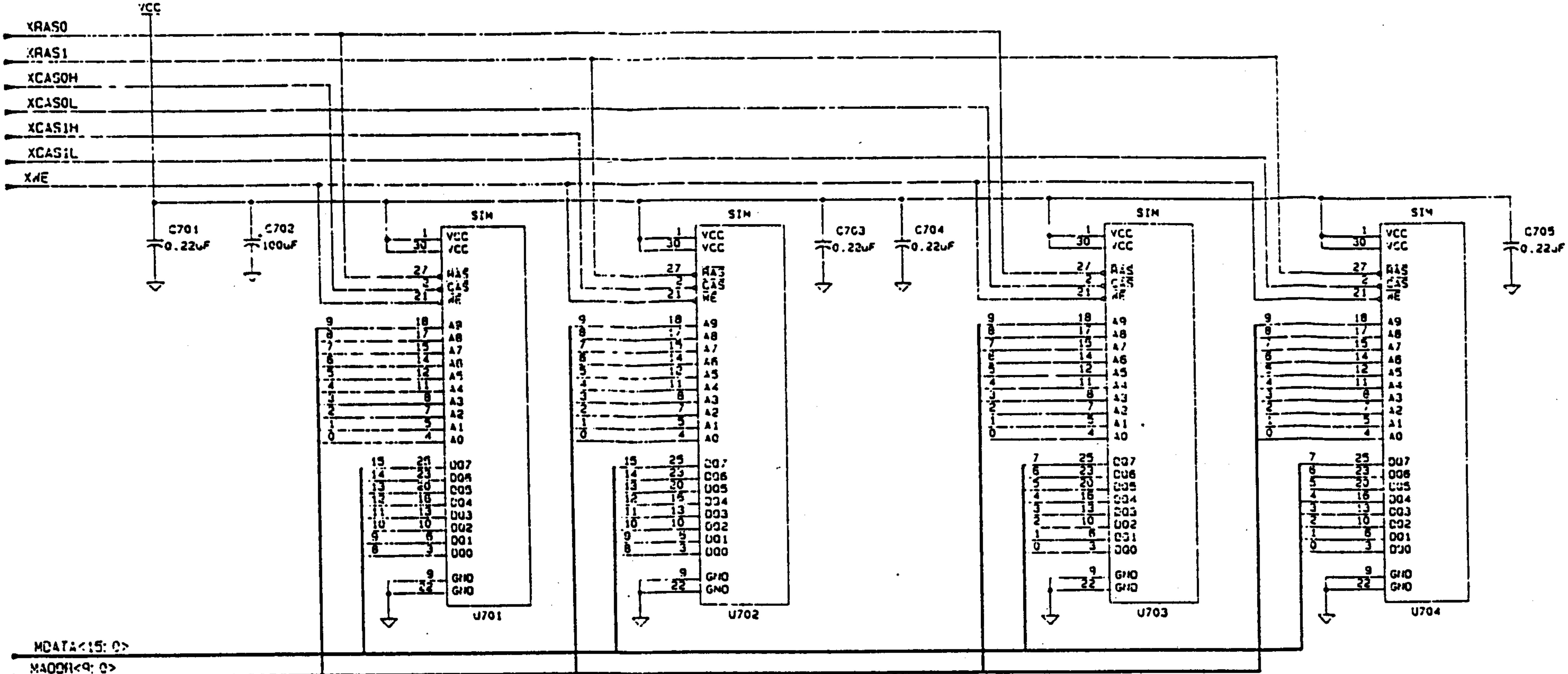




THE 74LS02 WAS ADDED TO FIX THE SOUND DATA HOLD PROBLEM WHICH OCCURS WITH ST-4117 (SHIFTERS) OLDER THAN REV. D  
2/14/90 JH



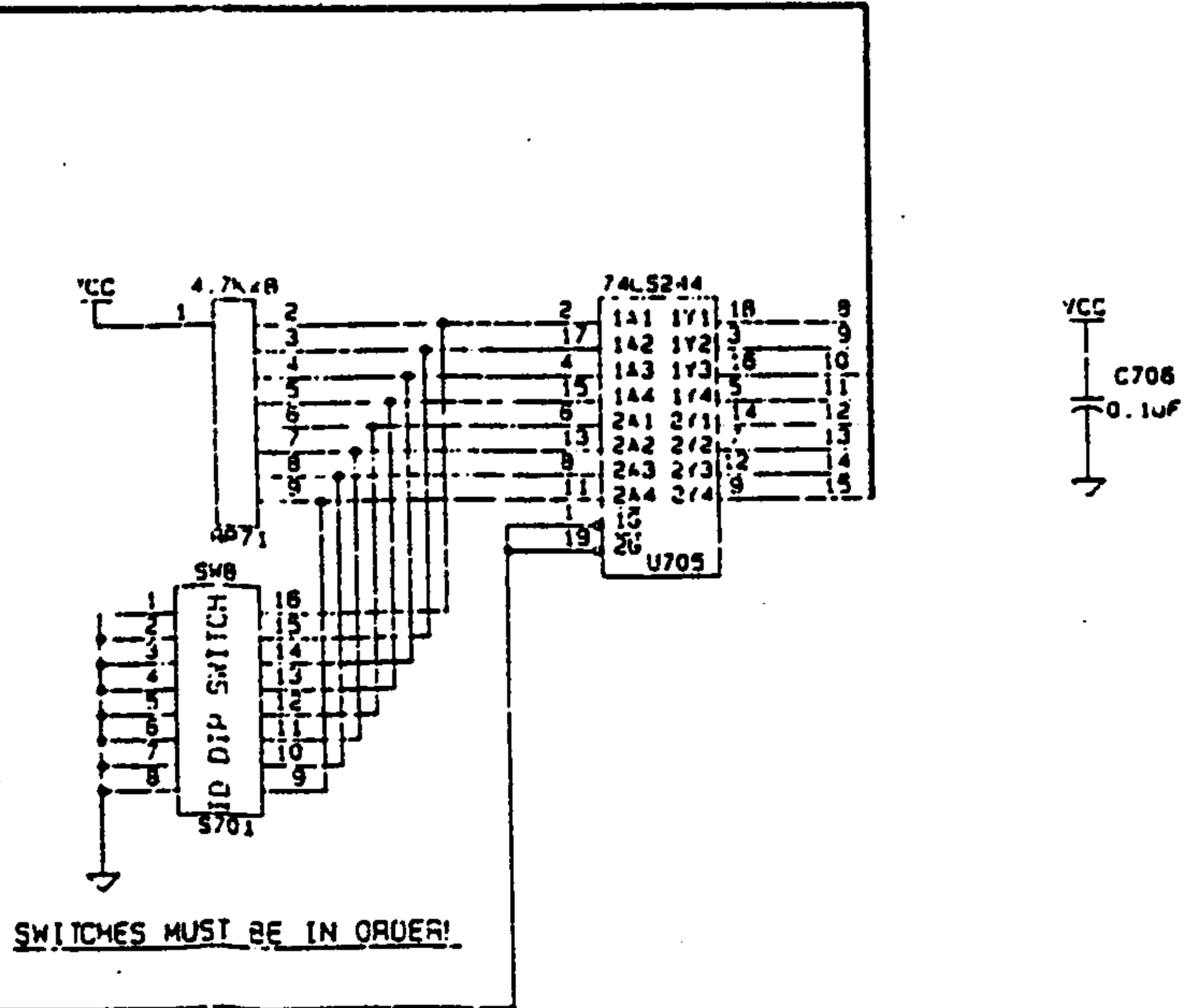
Atari Corporation 1196 Borregas Ave. Sunnyvale, CA 94086			
MEGA STE			
SIZE	CODE	C00000-000	REV
0		ENGINEER: JOHN HORTON	2
DATE	APRIL 20, 1990	SHEET	8 of 11



MDATA<15: 0>  
MAODM<9: 0>

DATA<15: 0>

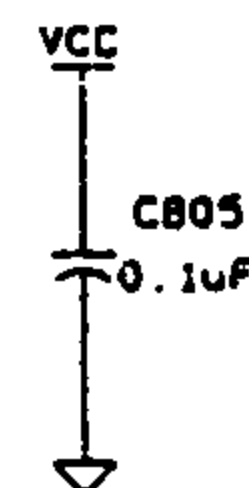
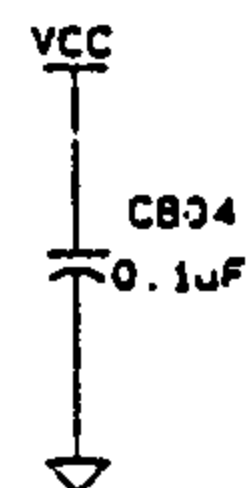
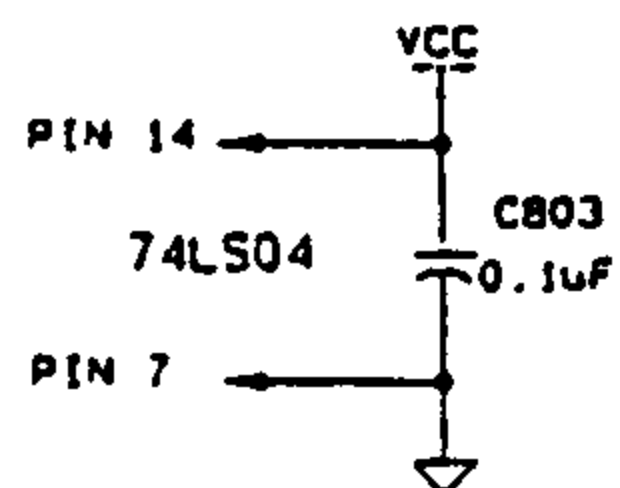
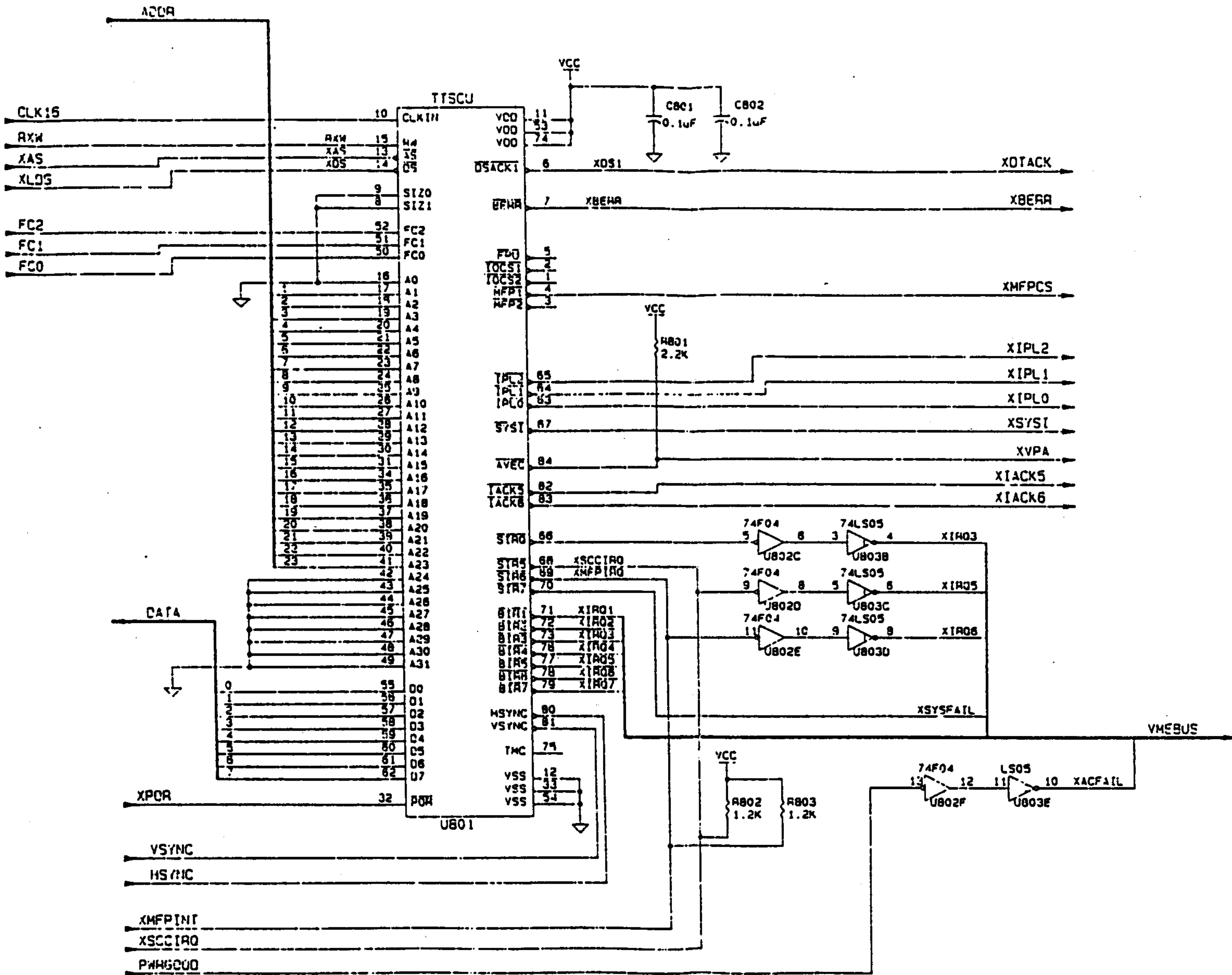
*7 = Enable HD-drive (1.44MB)*



SWITCHES MUST BE IN ORDER!

XBUTTON

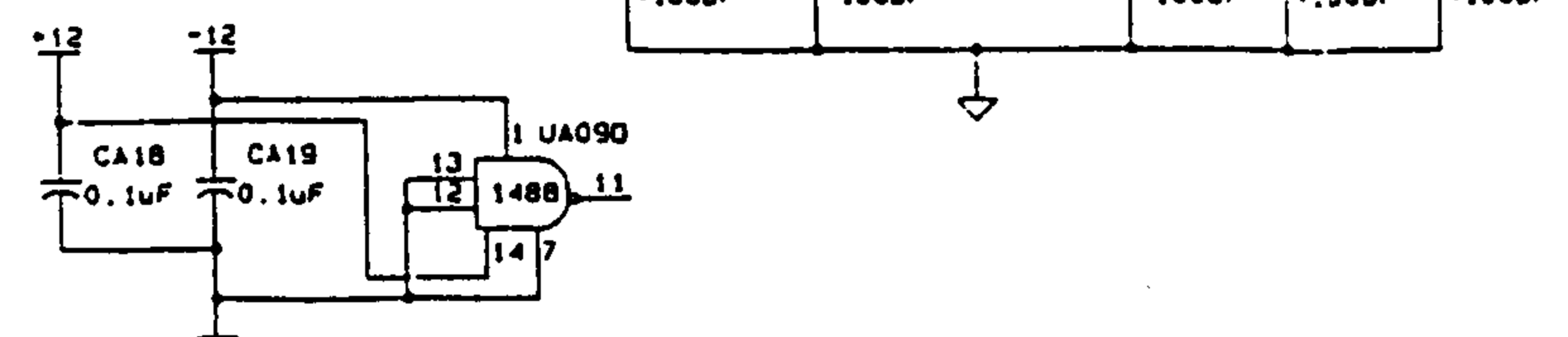
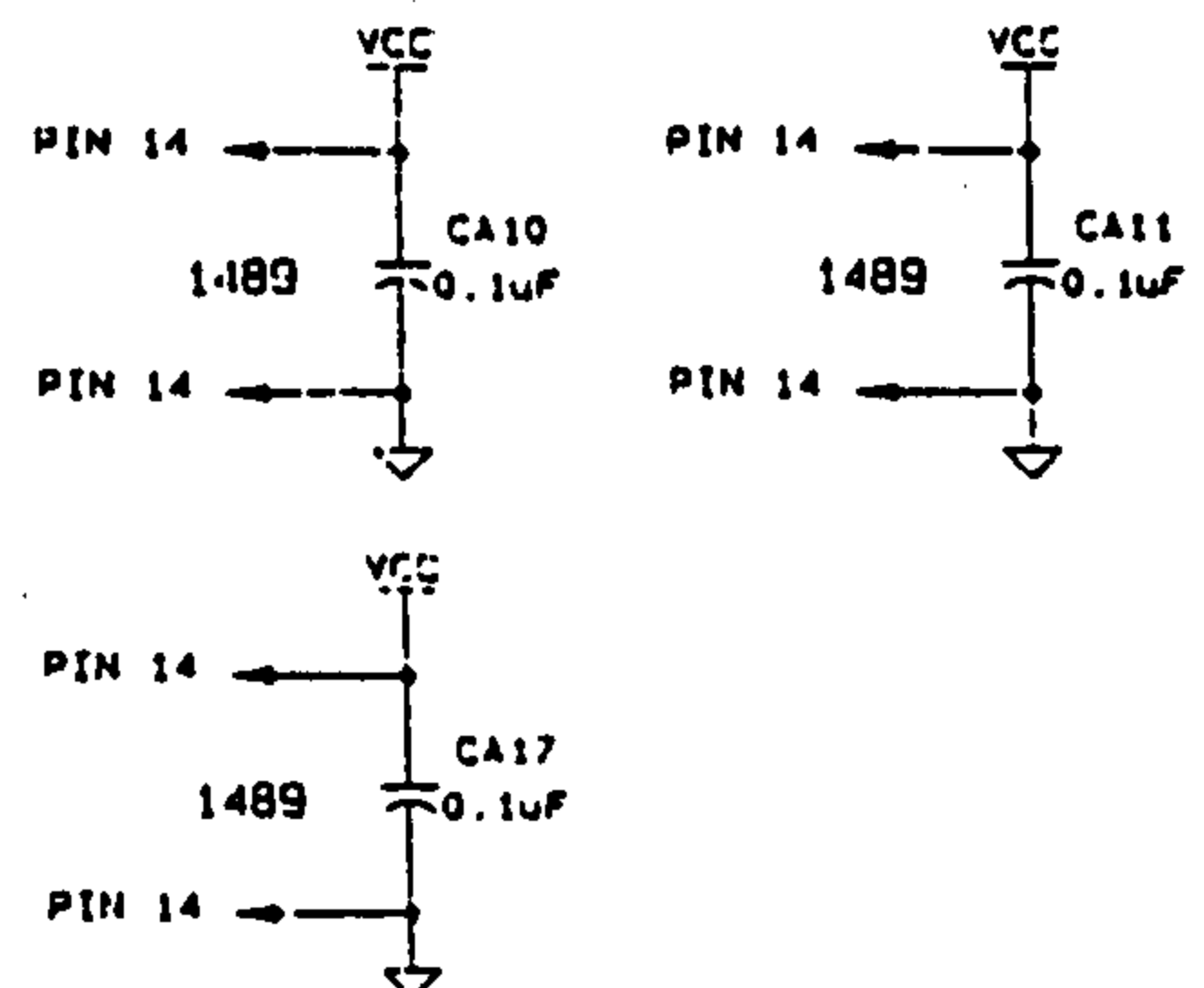
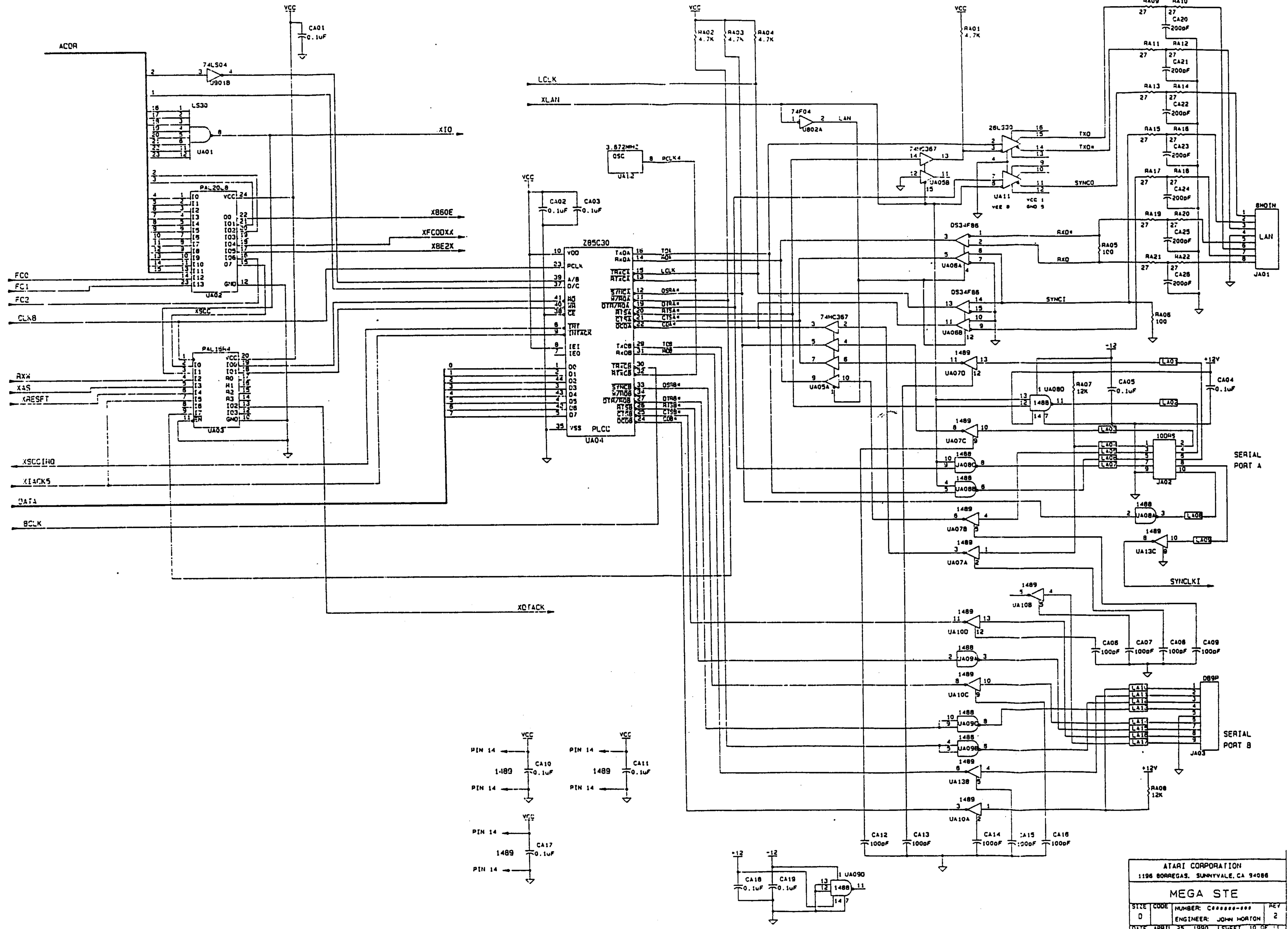
Atari Corporation			
1196 Borregas Ave. Sunnyvale, CA 94086			
MEGA STE			
SIZE	CODE	C110000-000	REV
0		ENGINEER: JOHN HORTON	2
DATE APRIL 20, 1990		SHEET 7 of 11	



ATARI CORPORATION			
1196 BORREGAS, SUNNYVALE, CA 94086			
MEGA STE			
SIZE	CODE	NUMBER: C000000-000	REV
0		ENGINEER: JOHN HORTON	2
DATE: APRIL 25, 1990		SHEET 3 OF 11	

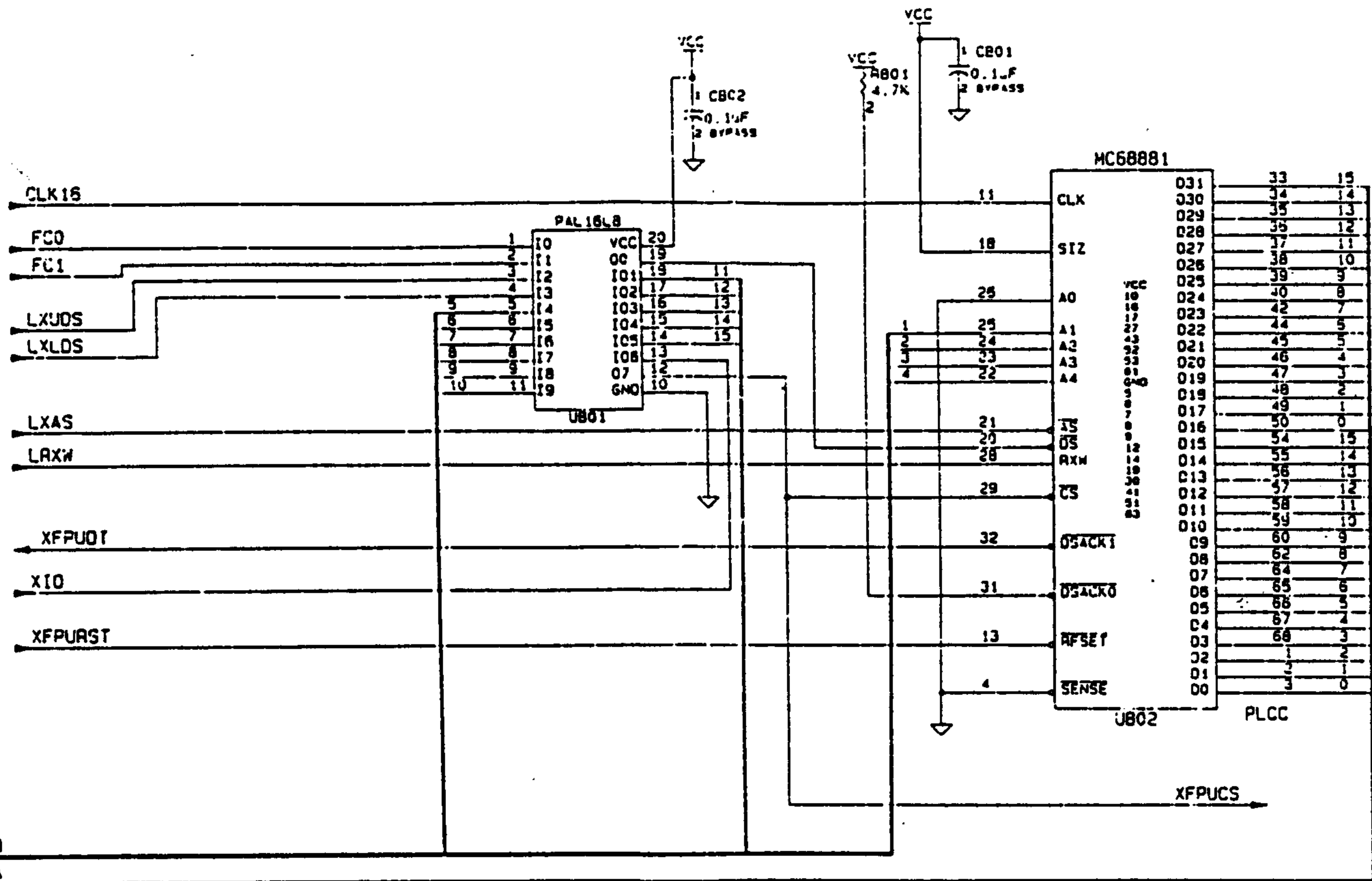




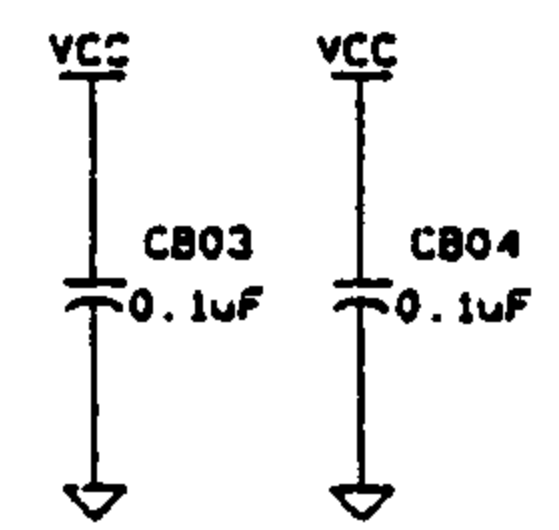


ATARI CORPORATION 1196 BORGESAS, SUNNYVALE, CA 94088			
<b>MEGA STE</b>			
SIZE	CODE	NUMBER: C00000-000	REV
0		ENGINEER: JOHN HORTON	2
DATE: APRIL 25, 1990		SHEET 10 OF 11	

UB01 NEED NOT BE INSTALLED IF UB02 IS NOT PRESENT



ADDR  
DATA



ATARI CORPORATION			
1196 BORREGAS, SUNNYVALE, CA 94086			
MEGA STE			
SIZE	CODE	NUMBER: C000000-000	REV
0		ENGINEER: JOHN HORTON	2
DATE APRIL 20, 1990		SHEET 11 OF 11	